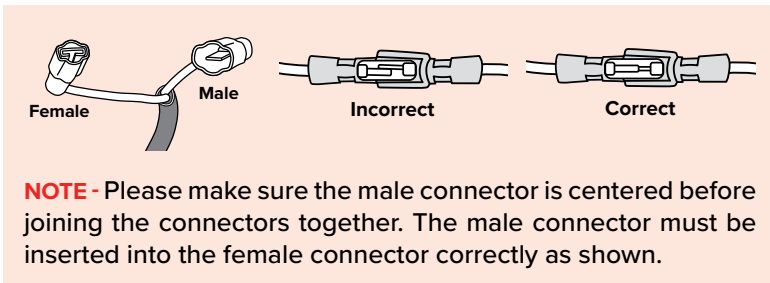




**WARNING:** Please take the time to read through the ENTIRE instructions prior to starting any work. These instructions should be used in conjunction with the standard gable fan installation instructions.

The Thermal Snap Switch is designed to control the operation of the Kennedy Gable Solar Attic Fan according to the attic temperature. The switch will turn ON the Gable Solar Attic Fan when the temperature in the attic reaches approximately 80°F and will turn OFF the fan when the temperature cools to 70°F.



## INSTALLATION STEPS

### STEP 1

Turn the gable fan upside down. Locate the wire lead coming from the motor and disconnect the red and black wires. See Figure 1.

### STEP 2

Insert the male black plug from the thermal switch into the female black plug on the gable fan. Then insert the red male plug from the gable fan into the red female plug on the Thermal Switch. See Figure 2.

### STEP 3

After the fan is installed into the gable opening, route the Thermal Switch wire up along the nearby attic framing. Secure the wire using wire staples or cable wire clips (not supplied).

**NOTE:** The Thermal Switch sensor should be installed ABOVE the fan for maximum performance. See Figure 3.

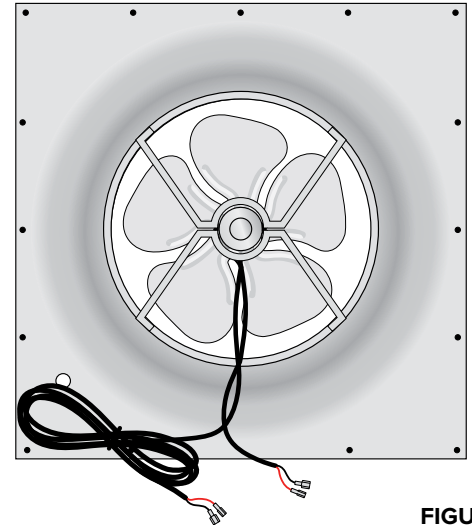


FIGURE 1

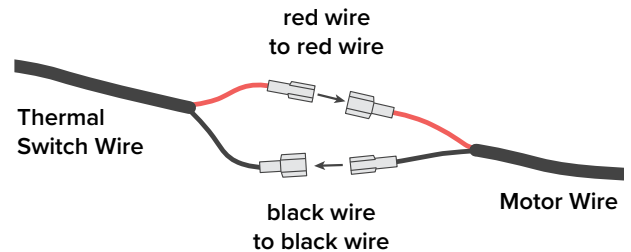


FIGURE 2

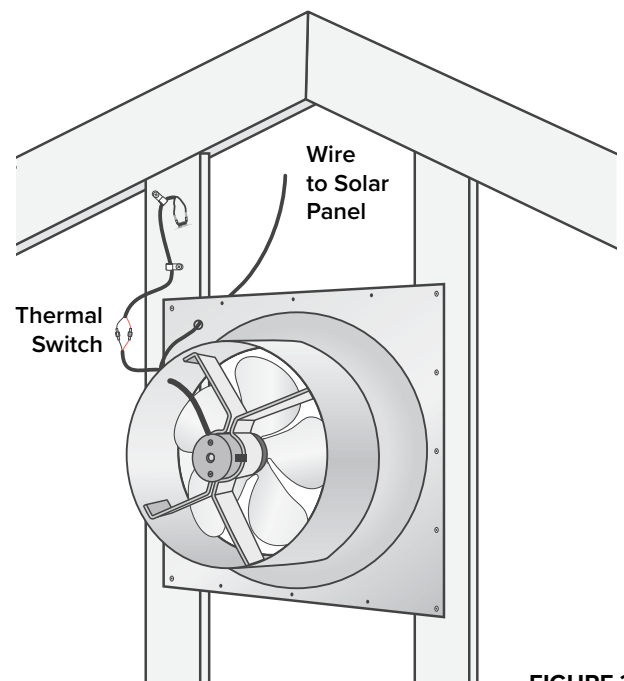


FIGURE 3